

Assembly instructions and service





Before installation:

- ⌚ Before installing the appliance, read the assembly instructions thoroughly and service.
- ⌚ Appliances may only be operated according to the instructions and by an older person 18 years old, who performs occasional service and supervision.

Leave children without supervision at the stove is inadmissible.

- ⌚ Pay due attention to the fact that the appliance is in operation all parts, especially all its external surfaces, from the point of view of touch hot.
- ⌚ During operation, observe the specified safe distances from the appliance combustible materials, do not remove protective pads or protective screens, if installed. This will prevent the risk of a possible fire.
- ⌚ Any unauthorized modifications to the appliance are prohibited.
- ⌚ It is forbidden to overload the appliance in any way.
- ⌚ Only use spare parts supplied by the manufacturer.
- ⌚ The appliance is not intended for connection to a common chimney.
- ⌚ The appliance is suitable for short-term operation in the sense ČSN EN 13 240/A2.
- ⌚ The appliance may be used in an ordinary environment. When changing this an environment where a temporary fire hazard could arise, or explosion (e.g. when gluing floor coverings, when working with paint substances, etc.) the appliance must be in time before the danger arises decommissioned.

Specifications

Model	HEATER 9
Rated heat output	9 kW
Heated space	200 m ³
Flue diameter	130 mm
Height	850 mm
Width	550 mm
Length	840 mm
Mass	84 kg
Average fuel consumption	2,64 kg/hour
Recommended log length	540 mm
Door diameter	320 mm
Height of the flue axis	570 mm
Minimum draft of the chimney	12 Pa
Efficiency	80,9%
CO at O ₂ = 13%	0,0194%
Volume of the combustion chamber	0,18 m ³
Dry flue gas mass flow rate	10,7 g/s
Flue gas temperature behind the throat	363 °C

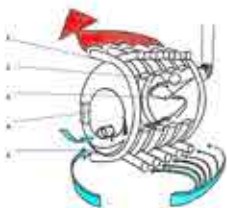




Assembly instructions:

When installing the appliance, all local regulations must be observed, including regulations that relate to national standards as well as European standards.

Model	HEATER 9
Rated heat output	9 kW
Mass	84 kg
Minimum draft of the chimney	12 Pa
Dry flue gas mass flow rate	10,7 g/s
Flue gas temperature behind the throat	363 °C



1. tube outer diameter 60.3mm, wall thickness 3.6mm
2. connecting tape sheet thickness. 3 mm
3. flue diameter 130-160mm/depending on the type of stove/
4. Stove stove plate Thickness. 4mm
5. door sheet metal Thickness 4mm

cold air
warm air

HEATER hot air stoves are intended in the sense of ČSN 33 0300 for use in ordinary environment. The stove is installed on a non-sleeping floor. If they are placed on a floor made of combustible materials, it must be provided with a fixed protective mat made of fire-resistant material resistant to mechanical effects during operation of the appliance. The protective mat must exceed the floor plan at the front by at least 300 mm and on the other sides by 100 mm.

Safe distance of the appliance from the surface of the building structure, floor covering and furniture made of combustible materials must not be less than 800 mm. In the event that warming, or temperature of the surface of the walls of the building structure, or furnishing object made of combustible materials, exposed to the effects of heat radiation from of the thermal device, exceed the permissible values (100 °C), or in the event that z for spatial reasons, the prescribed distance cannot be observed, the protective distance is used screen (ČSN 06 1008).

The installation of the flue must be in accordance with the relevant regulations and technical specifications standards, e.g. ČSN 73 4201. The flue must be firmly and correctly assembled and installed in such a way that it cannot be accidentally or spontaneously released. The flue made of metal pipes longer than 1500 mm should be firmly anchored (e.g. with a socket in the masonry). There must be a suitable flue on the exhaust pipe secured. The individual parts of the flue must be carefully inserted into each other, while the upper end of the lower flue must be inserted inside the higher flue, so that no fumes can escape. The internal cross-section of the flue must not be larger than the internal cross-section of the chimney flue and must not taper towards the chimney.

The appliance must only be connected to the chimney passage with the consent of the chimney company in accordance with national regulations. When installing the flue, a safe distance of 200 mm from paneling of door frames and similarly placed parts of building structures from combustible materials and from the installation of the pipeline, including its possible insulation, and 400 mm from other parts of building constructions made of combustible materials.

Windows and door leaks are sufficient for the supply of combustion air. Don't support it is recommended to use an extraction device or other heating device in the room at the same time equipment with flue gas extraction, which could cause a decrease in the draft of the chimney and thus insufficient extraction of flue gases and subsequently worsened conditions for burning. When installing the appliance, access to combustion air must not be blocked to the manual regulator of the supply of combustion air, heated air to convection tubes and to prevent the exit of heated air from convection tubes.

The appliance is not intended for connection to a common chimney. The appliance may be installed on floors with an adequate load-bearing capacity if the current composition does not meet this condition, it must be appropriate measures are taken (e.g. use of a load-distributing mat). The stove can only be cleaned with the side door. When installing the stove, however, it is necessary ensure adequate access for flue cleaning, or access to such a chimney door. Make sure you have a complete installation before using for the first time done correctly.

i Information on the degree of flammability of building materials:

A- non-flammable	granite, sandstone, ceramic tiles, bricks, special plasters, heavy porous concrete
B- not easily flammable	Itaverus, Heraclitus
C1- highly flammable	plywood, umakart, hardened paper, hardwood
C2- moderately flammable	cork boards, rubber, chipboards, floor coverings
C3- slightly flammable	polyurethane, polystyrene, lightweight PVC, fiber boards

**Operating Instructions:**

When installing the appliance, all local regulations must be observed, including regulations that relate to national standards as well as European standards.

Use:

HEATER hot air stoves are used for local heating of rooms, workshops, cottages, clubhouses, cottages, warehouses, greenhouses, halls or construction sites with usual environment. In addition to radiating heat through its own surface, convection also occurs, that is, the noiseless self-flow of air through the convection tubes that make up the shell calculus. This creates circulation with a rapid mixing of cold and warm air in the room.

First commissioning:

Check that you have a complete stove installation done correctly. At the first commissioning occurs during the first few hours of burning the special varnish resistant to high temperatures, with which the surface of the stove is provided. This happens accompanied by light smoking from the surface of the stove. We recommend putting the stove in operation before the start of the heating season and ensure sufficient room ventilation.

Fuel:

The stove is intended exclusively for burning piece wood. Dry is best hard wood, e.g. beech, birch or hornbeam, which burns longer and with a shorter flame, but it is possible burn any wood available. To achieve the rated power a for efficiency, we recommend dry logs with a diameter of 80 mm. For burning larger ones logs must reach a sufficient temperature in the hearth, in any case additional we guarantee to split the logs. Use only recommended fuel. Anthracite, coke, lignite coke, briquettes, tar coal, sawdust and similar fuel. The stove is not allowed use to burn garbage and liquid fuels.

**Never use flammable liquids**

Use enough paper and dry wood of small diameters for the flood. For convenience it is possible to use a solid lighter for flooding. Allow the stove to burn properly. Stove they do not have an exhaust valve, so it is not necessary to open it before adding fuel. After that carefully open the loading door and wait for the air flowing around the door directional extraction of flue gases into the chimney.

Only then open the door completely. This will prevent smoke from escaping flue gas from the loading hole. Piece wood is added as needed. The entire space of the firebox can be filled with fuel, but we recommend keeping a certain amount space for burning. The frequency of adding depends on the type and size of the fuel and required heat output. The usual interval is about 2 hours. At every one it is advisable to adjust with a rake when adding and, if necessary, between adding fireplace. Ashes are not removed from the stove during operation. The stove door must always be closed, except for heating, loading, checking and adjusting the fireplace with a rake to prevent flue gases from escaping into the room.

Regulation

When heating, it is necessary that the flap of the combustion air supply regulator were opened. The combustion air supply regulator is open, if there is one control lever in horizontal position. It is closed when its control lever is in a vertical position. They enable continuous regulation of the combustion air supply air intake regulator lever ajar. After ignition, the output is regulated stove only using the combustion air supply regulator. Secondary air intakes are unregulated. Poor traction or weather conditions can cause problems when starting groping. In these cases, we recommend heating the chimney, e.g. by burning adequate amount of paper.

Cleaning and maintenance:

The stove does not have a grate, so the ash is not completely removed during cleaning, it is always left behind a layer roughly filling the joints of the bottom of the stove. The remaining layer of ash protects lower part of the combustion chamber from high temperatures and at the same time ensures the temperature difference required to create a warm air flow. When removing ash, especially hot, take extra care. Ashes are allowed to be deposited only in non-flammable containers with lids. Periodically, it is necessary to clean the smoke paths appliances, flue and chimney. The flue must be completely cold before cleaning. Always entrust chimney cleaning to a chimney sweep. The seal must be checked regularly stove door. The loading door must always fit all the way around, otherwise it will reduces the efficiency of the stove. if the seal is degraded, it must be replaced. We recommend sticking the new seal with water glass. In the event of a longer interruption operation, it is necessary to check the smoke paths of the appliance, the flue and the chimney, whether they have become clogged.

During operation of the appliance, access to combustion air must not be blocked to the manual regulator of the supply of combustion air, heated air to convection tubes and to prevent the exit of heated air from convection tubes.

Faults and their removal:

In the event of incorrect combustion, which may be manifested by the leakage of flue gases into the room, it is necessary to check the settings of the control elements, the patency of the smoke paths and their tightness, the correct draft of the chimney and the fact that the draft of the chimney is not affected by the exhaust device, etc. In the event that it is not possible to ensure the proper functioning of the stove, further do not overheat and ventilate sufficiently!

In case of thermal overload, adjust the flap of the combustion air supply regulator to the "closed" position. In the event of a fire in the chimney, stop the heating and have the chimney professionally cleaned and check.

List of spare parts:

- door sealing cord
- glass for the door
- exhaust flap
- handles for controls

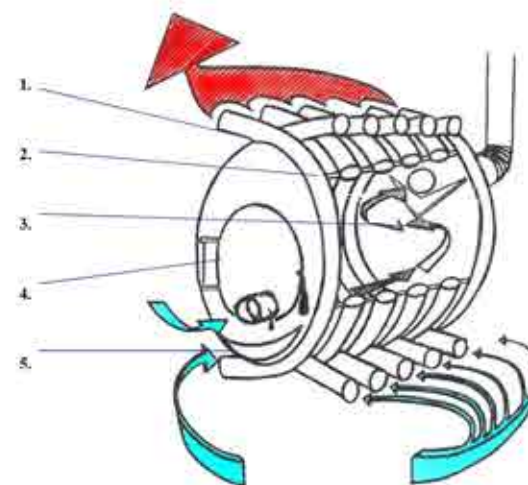


Information on disposal of used packaging:

All materials used for packaging belong to category "O" - others, i.e. not contaminated with pollutants. Preferably hand them over for recycling or further use, or put them in a place designated by the municipality for waste disposal.

Disposal of used product:

The used product meets the definition of category "O" waste- others, preferably hand it over for recycling or further use, or put it in a designated place municipalities to deposit waste.



cold air
warm air

1. pipe outer diameter 60.3mm, wall thickness 3.6mm
2. connecting tape sheet thickness. 3 mm
3. flue diameter 130-160 mm (according to type of stove)
4. Stove stove plate Thickness. 4 mm
5. door sheet metal Thickness 4 mm

Model	HEATER 9
Rated heat output	9 kW
Heated space	200 m ³
Flue diameter	130 mm
Height	850 mm
Width	550 mm
Length	840 mm
Mass	84 kg
Average fuel consumption	2,64 kg/hour
Recommended log length	540 mm
Door diameter	320 mm
Height of the flue axis	570 mm
Minimum draft of the chimney	12 Pa
Efficiency	80,9%
CO at O ₂ = 13%	0,0194%
Volume of the combustion chamber	0,18 m ³
Dry flue gas mass flow rate	10,7 g/s
Flue gas temperature behind the throat	363 °C



STATEMENT OF PROPERTIES

Manufacturer's seat and place of production:

KAMNA HEATER- Lukáš Hájek, IČ: 71607447,
Krčínova 884, 280 02 Kolín, Czech Republic

Product:

Hot air wood stove HEATER 9 kW



KAMNA HEATER - Lukáš Hájek, Krčínova 884,
280 02 Kolín, Czech Republic, IČ: 71607447

ČSN EN 13 240:2002

HEATER 9

Hot air stove - solid fuel appliance

Type series: HEATER

Notified person: 1015

Energy efficiency: 80,9%

Heat output: 9 kW

Production year: 2022

Serial number: CO emission in flue gas (at 13% O₂): 242 mg/Nm³Dust in flue gas (at 13% O₂): 38 mg/Nm³

Flue gas temperature: 270 °C

Distance from adjacent combustible materials: 800 mm

Recommended type of fuel: beech wood

Confirmed emission standard: EkoDesign 2022

and BIMSchV 2 with catalytic converter

Solid fuel appliance for heating living spaces, etc.

Follow the operating instructions!

An appliance with a short-term combustion process!

Use only recommended fuels!

Declaration of Performance reference number 10939-CPR-2010/11/10

WARRANTY CARD

Hot air stove
wood HEATER

The warranty period is 36 months from the date sales to consumers. During the warranty period the manufacturer will remove all of them free of charge defects caused by manufacturing errors or defective material.

It is necessary for every claim present this warranty card!

The warranty does not cover defects caused by:

- by using a different fuel than for which they are stove intended
- improper handling
- failure to comply with the product's operating instructions
- unauthorized intervention in the product
- unauthorized change of data in the warranty sheet

Certificate of quality and completeness:

TC:

Seller:

Date:

Warranty repair information:

KAMNA HEATER - Lukáš Hájek, Krčínova 884, 280 02 Kolín, Czech Republic
tel.: +420 723 470 887, e-mail: info@heater-kamna.cz, www.heater-kamna.cz